

VATSIM Germany Instrument Approach Chart

PADERBORN / LIPPSTADT EDLP

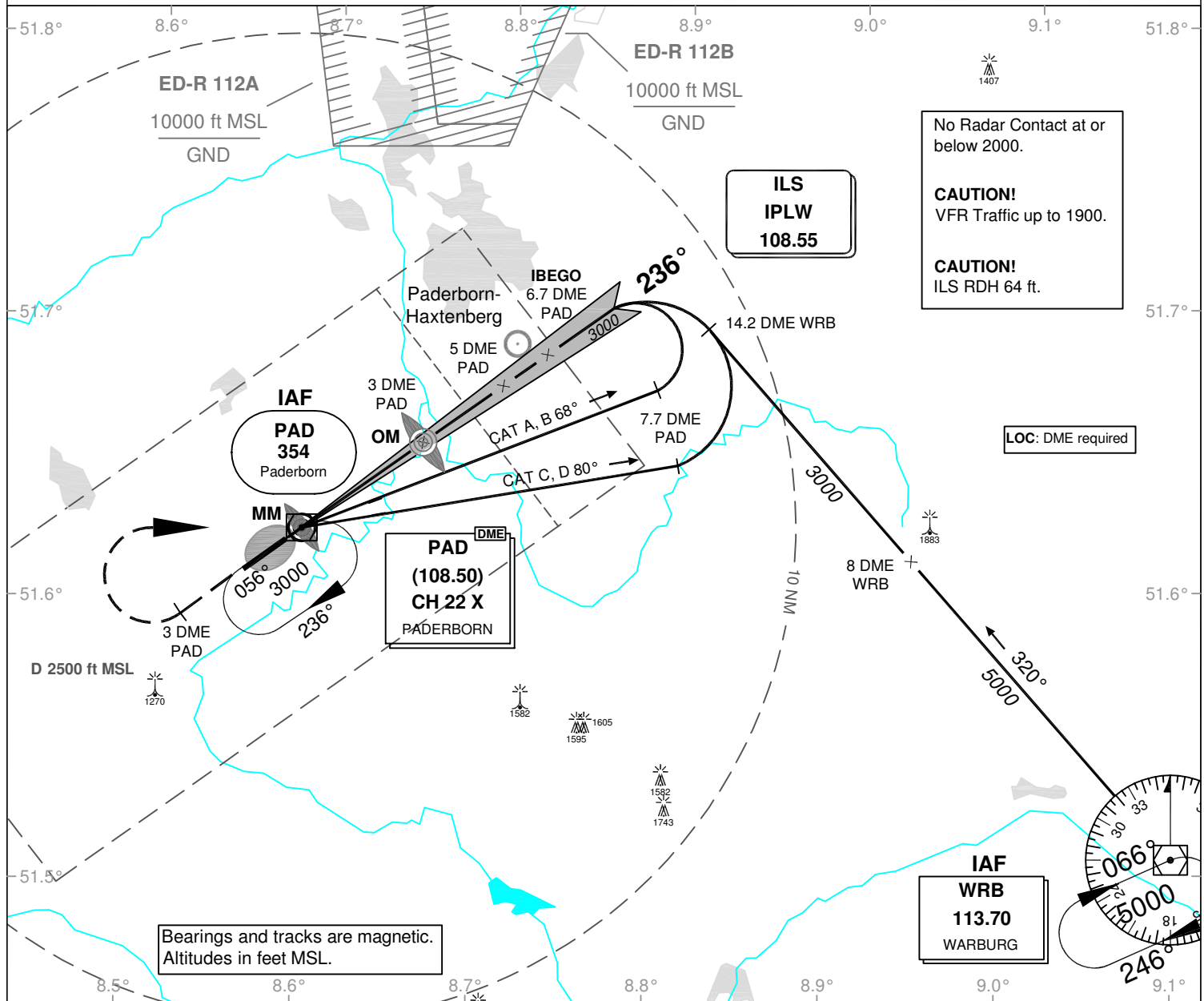
Elevation: THR24 674 ft.

ATIS 125.72

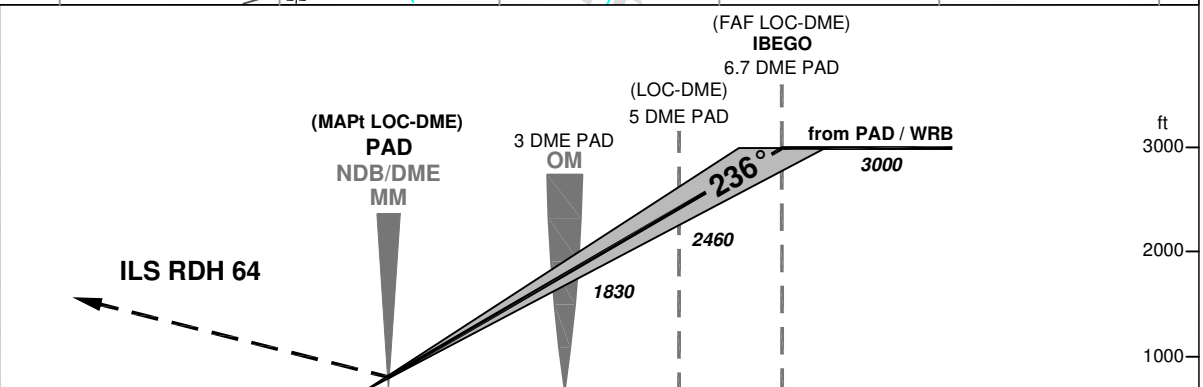
Langen Radar 125.22
Tower 133.37
Ground 121.92

**ILS or LOC
RWY 24**

VAR: 1°E



OCA (OCH)	ILS CAT I	LOC DME	CIRCLING
CAT A	851 (177)	1110 (440)	1250
CAT B	861 (187)	1110 (440)	1250
CAT C	871 (197)	1110 (440)	1250
CAT D	881 (207)	1110 (440)	1250
CAT E			
Large Aircraft			



Corrections MSA, VAR, OCA
Circling north of A/D only.

MISSED APPROACH: Climb straight ahead to 3 DME PAD, RT to PAD NDB climbing to 3000 ft.

DME VOR PAD	1	2	3	4	5	6		
DME THR	1.4	2.4	3.4	4.4	5.4	6.4		
ALTITUDE	1190	1510	1830	2140	2460	2780		

